

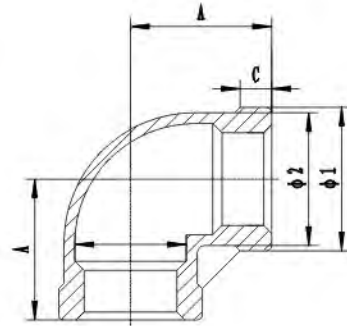




丝扣管件 Threaded fitting



90° 弯头  
90° Elbow

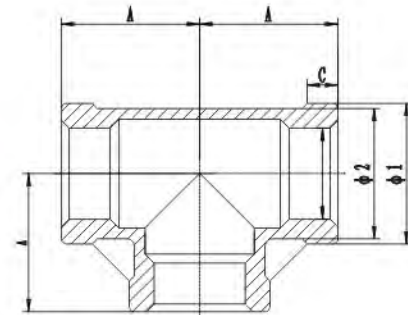


主要外形尺寸 Main outer size

| SIZE  | φ1   | φ2   | C   | A    |
|-------|------|------|-----|------|
| 1/8   | 13.9 | 12.2 | 5.5 | 17   |
| 1/4   | 16.9 | 14.9 | 6   | 19   |
| 3/8   | 20.2 | 18.4 | 6   | 23   |
| 1/2   | 26.9 | 24.9 | 6   | 27   |
| 3/4   | 31.9 | 29.9 | 7   | 31.5 |
| 1     | 39.9 | 37.9 | 8   | 36.5 |
| 1 1/4 | 48.9 | 46.4 | 9   | 42.5 |
| 1 1/2 | 55.4 | 52.9 | 10  | 47.5 |
| 2     | 67.4 | 64.9 | 11  | 56   |
| 2 1/2 | 84.5 | 82   | 13  | 68   |
| 3"    | 98.5 | 95.5 | 15  | 77.5 |



三通  
Tee

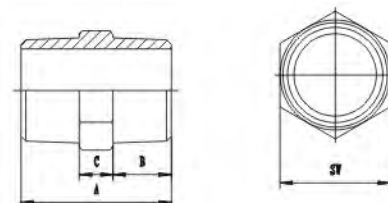


主要外形尺寸 Main outer size

| SIZE  | φ1   | φ2   | C   | A    |
|-------|------|------|-----|------|
| 1/8   | 13.9 | 12.2 | 5.5 | 17   |
| 1/4   | 16.9 | 14.9 | 6   | 19   |
| 3/8   | 20.2 | 18.4 | 6   | 23   |
| 1/2   | 26.9 | 24.9 | 6   | 27   |
| 3/4   | 31.9 | 29.9 | 7   | 31.5 |
| 1     | 39.9 | 37.9 | 8   | 36.5 |
| 1 1/4 | 48.9 | 46.4 | 9   | 42.5 |
| 1 1/2 | 55.4 | 52.9 | 10  | 47.5 |
| 2     | 67.4 | 64.9 | 11  | 56   |
| 2 1/2 | 84.5 | 82   | 13  | 68   |
| 3"    | 98.5 | 95.5 | 15  | 77.5 |



六角外丝  
Hexagon nipple



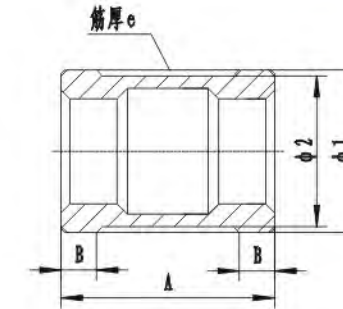
主要外形尺寸 Main outer size

| SIZE  | A  | B  | C  | SW  | 角数 |
|-------|----|----|----|-----|----|
| 1/8   | 28 | 11 | 6  | 13  | 6  |
| 1/4   | 32 | 13 | 6  | 15  | 6  |
| 3/8   | 37 | 15 | 7  | 19  | 6  |
| 1/2   | 42 | 17 | 8  | 23  | 6  |
| 3/4   | 45 | 18 | 9  | 29  | 6  |
| 1     | 49 | 19 | 11 | 36  | 8  |
| 1 1/4 | 54 | 21 | 12 | 45  | 8  |
| 1 1/2 | 56 | 22 | 12 | 51  | 8  |
| 2     | 65 | 26 | 13 | 63  | 8  |
| 2 1/2 | 76 | 31 | 14 | 78  | 8  |
| 3     | 80 | 33 | 14 | 92  | 8  |
| 4     | 86 | 36 | 14 | 117 | 8  |

丝扣管件 Threaded fitting



内丝  
Socket banded

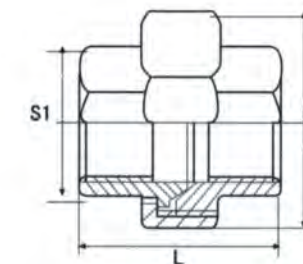


主要外形尺寸 Main outer size

| SIZE  | φ1   | φ2   | B   | e   | A    |
|-------|------|------|-----|-----|------|
| 1/8   | 13.9 | 12.2 | 5.5 | 2.5 | 25   |
| 1/4   | 16.9 | 14.9 | 6   | 2.5 | 25   |
| 3/8   | 20.2 | 18.4 | 6   | 2.5 | 30   |
| 1/2   | 26.9 | 24.9 | 6   | 3   | 35   |
| 3/4   | 31.9 | 29.9 | 7   | 3   | 39   |
| 1     | 39.9 | 37.9 | 8   | 3   | 44   |
| 1 1/4 | 48.9 | 46.4 | 9   | 3.5 | 50   |
| 1 1/2 | 55.4 | 52.9 | 10  | 3.5 | 54   |
| 2     | 67.4 | 64.9 | 11  | 4   | 63   |
| 2 1/2 | 84.5 | 82   | 14  | 4   | 71.5 |
| 3     | 98.5 | 95.5 | 15  | 4.5 | 77   |
| 4     | 124  | 121  | 17  | 5   | 86   |



活接  
Union

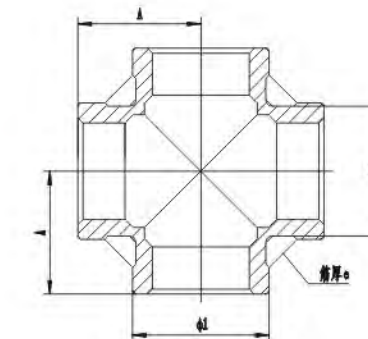


主要外形尺寸 Main outer size

| SIZE  | L    | S      | S1     |
|-------|------|--------|--------|
| 1/4   | 31   | 29*8   | 17*8   |
| 3/8   | 34   | 34*8   | 21*8   |
| 1/2   | 38   | 34*8   | 24*8   |
| 3/4   | 43   | 47*8   | 31*8   |
| 1"    | 49   | 53*8   | 38*8   |
| 1-1/4 | 51   | 64*8   | 47*8   |
| 1-1/2 | 54   | 70*8   | 53*8   |
| 2"    | 61   | 87.5*8 | 65*8   |
| 2-1/2 | 69.5 | 107*10 | 81*10  |
| 3"    | 82   | 120*10 | 94*10  |
| 4"    | 98   | 147*10 | 120*10 |



四通  
Cross



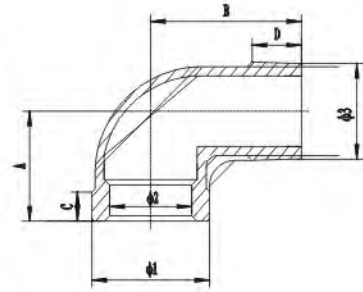
主要外形尺寸 Main outer size

| SIZE  | φ1   | φ2   | E   | A    |
|-------|------|------|-----|------|
| 1/8   | 13.9 | 12.2 | 2.5 | 17   |
| 1/4   | 16.9 | 14.9 | 2.5 | 19   |
| 3/8   | 20.2 | 18.4 | 2.5 | 23   |
| 1/2   | 26.9 | 24.9 | 3   | 27   |
| 3/4   | 31.9 | 29.9 | 3   | 31.5 |
| 1     | 39.9 | 37.9 | 3   | 36.5 |
| 1 1/4 | 48.9 | 46.4 | 3.5 | 42.5 |
| 1 1/2 | 55.4 | 52.9 | 3.5 | 47.5 |
| 2     | 67.4 | 64.9 | 4   | 56   |



丝扣管件 Threaded fitting

主要外形尺寸 Main outer size

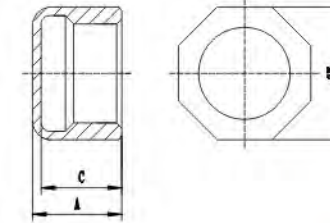


90° 内外丝弯头  
90° Street Elbow

| SIZE  | φ1   | φ2   | φ4   | A  | B  | C   | D  |
|-------|------|------|------|----|----|-----|----|
| 1/8   | 13.9 | 8    | 10.2 | 17 | 24 | 5.5 | 7  |
| 1/4   | 16.9 | 10.7 | 13.5 | 20 | 28 | 6.5 | 10 |
| 3/8   | 20.2 | 14.2 | 17.2 | 23 | 32 | 7   | 10 |
| 1/2   | 26.9 | 17.8 | 21   | 28 | 37 | 7   | 13 |
| 3/4   | 31.9 | 22.8 | 26.6 | 32 | 43 | 8   | 15 |
| 1"    | 39.9 | 28.7 | 33.6 | 38 | 52 | 10  | 17 |
| 1 1/4 | 48.9 | 37.3 | 42.4 | 43 | 59 | 11  | 19 |
| 1 1/2 | 55.4 | 43.8 | 48.4 | 48 | 64 | 12  | 19 |
| 2"    | 67.4 | 55.3 | 60.3 | 57 | 74 | 13  | 24 |

丝扣管件 Threaded fitting

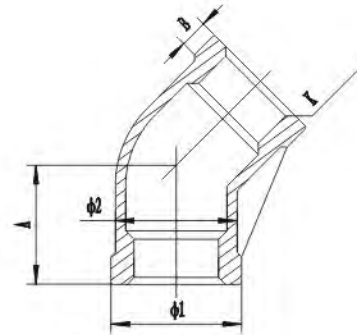
主要外形尺寸 Main outer size



六角管帽  
Cap

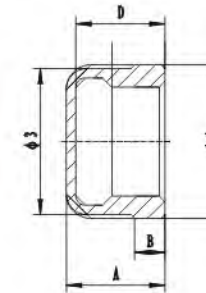
| SIZE  | A  | C    | SW    | 方数 |
|-------|----|------|-------|----|
| 1/8   | 15 |      | 12.8  | 6  |
| 1/4   | 15 |      | 15.5  | 6  |
| 3/8   | 16 | 9.5  | 19    | 6  |
| 1/2   | 20 | 11.5 | 26.5  | 6  |
| 3/4   | 22 | 14   | 31.5  | 8  |
| 1     | 26 | 15   | 38.5  | 8  |
| 1 1/4 | 28 | 17   | 47.5  | 8  |
| 1 1/2 | 32 | 17   | 54    | 8  |
| 2     | 34 | 25   | 66    | 8  |
| 4     | 44 |      | 121.5 | 8  |

主要外形尺寸 Main outer size



45° 弯头  
Elbow 45°

| SIZE  | φ1   | φ2   | A  | B  | K   |
|-------|------|------|----|----|-----|
| 1/2   | 26.9 | 24.9 | 21 | 3  | 1.5 |
| 3/4   | 31.9 | 29.9 | 25 | 7  | 1.5 |
| 1     | 39.9 | 37.9 | 29 | 8  | 1.5 |
| 1 1/4 | 48.9 | 46.4 | 33 | 9  | 2   |
| 1 1/2 | 55.4 | 52.9 | 37 | 10 | 2   |
| 2     | 67.4 | 64.9 | 42 | 11 | 2   |

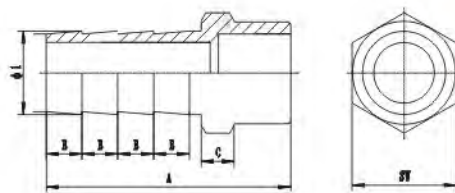


圆管帽  
Cap

主要外形尺寸 Main outer size

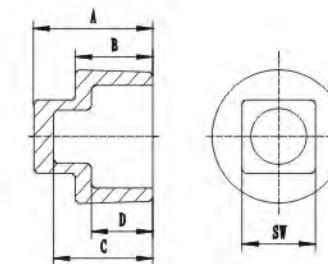
| SIZE  | φ3   | φ4   | A  | B   | D    |
|-------|------|------|----|-----|------|
| 1/8   | 12.2 | 13.9 | 15 | 5.5 | 12.6 |
| 1/4   | 14.9 | 16.9 | 15 | 6   | 12.6 |
| 3/8   | 18.4 | 20.2 | 16 | 6   | 13.6 |
| 1/2   | 24.9 | 26.9 | 20 | 6   | 17.5 |
| 3/4   | 29.9 | 31.9 | 22 | 7   | 19.5 |
| 1     | 37.9 | 39.9 | 26 | 8   | 23.5 |
| 1 1/4 | 46.4 | 48.9 | 28 | 9   | 25   |
| 1 1/2 | 52.9 | 55.4 | 30 | 10  | 26.5 |
| 2     | 64.9 | 67.4 | 34 | 11  | 30.5 |
| 2 1/2 | 80   | 84   | 39 | 13  | 35.5 |
| 3     | 94.5 | 98   | 42 | 15  | 38   |

主要外形尺寸 Main outer size



水管接头  
Hose nipple

| SIZE  | φ1  | A    | C  | E   | SW  | 方数 |
|-------|-----|------|----|-----|-----|----|
| 1/8   | 8   | 38   | 6  | 5   | 12  | 6  |
| 1/4   | 8   | 42   | 6  | 5   | 15  | 6  |
| 3/8   | 10  | 48   | 7  | 5.5 | 19  | 6  |
| 1/2   | 14  | 60   | 8  | 8   | 23  | 6  |
| 3/4   | 19  | 65   | 9  | 9   | 29  | 6  |
| 1     | 26  | 75   | 11 | 10  | 36  | 8  |
| 1 1/4 | 32  | 84.5 | 12 | 12  | 45  | 8  |
| 1 1/2 | 38  | 90   | 12 | 13  | 51  | 8  |
| 2     | 51  | 99   | 13 | 14  | 63  | 8  |
| 2 1/2 | 63  | 106  | 12 | 15  | 78  | 8  |
| 3     | 76  | 114  | 12 | 16  | 92  | 8  |
| 4     | 102 | 124  | 14 | 17  | 118 | 8  |



四角塞头  
Square plug

主要外形尺寸 Main outer size

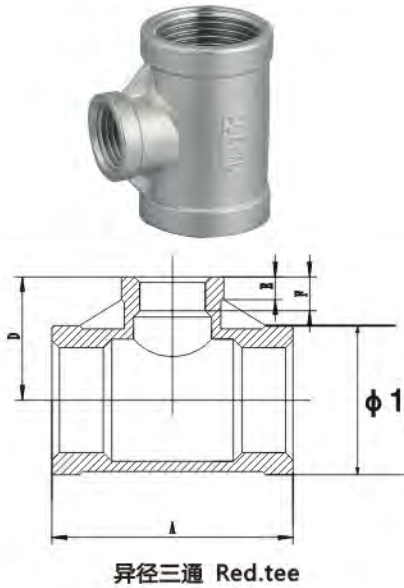
| SIZE  | A    | B    | C    | D    | SW   |
|-------|------|------|------|------|------|
| 1/8   | 13   | 6.5  | 10.5 | 4.5  | 6    |
| 1/4   | 17.5 | 11   | 15   | 8.7  | 8    |
| 3/8   | 17.5 | 11   | 15   | 8.7  | 10   |
| 1/2   | 21   | 13   | 18.5 | 10.7 | 12   |
| 3/4   | 24   | 14.5 | 21   | 12.2 | 17   |
| 1     | 27.5 | 17   | 24.5 | 14.5 | 19   |
| 1 1/4 | 34   | 23   | 31   | 20.5 | 23   |
| 1 1/2 | 35.5 | 23.5 | 32.5 | 21   | 26   |
| 2     | 39.5 | 26.5 | 36   | 23.5 | 31.5 |
| 2 1/2 | 39   | 27   | 35   | 23.5 | 32   |
| 3     | 44   | 30   | 40   | 26   | 36   |



丝扣管件 Threaded fitting

主要外形尺寸 Main outer size

| SIZE       | φ1   | A  | D  | E   | F    |
|------------|------|----|----|-----|------|
| 3/8*1/8    | 20.2 | 38 | 19 | 5.5 |      |
| 3/8*1/4    | 20.2 | 40 | 22 | 6   |      |
| 1/2*1/4    | 26.9 | 44 | 25 | 6   |      |
| 1/2*3/8    | 26.9 | 48 | 26 | 6   |      |
| 3/4*1/4    | 31.9 | 48 | 28 | 6   |      |
| 3/4*3/8    | 31.9 | 52 | 28 | 6   |      |
| 3/4*1/2    | 31.9 | 58 | 30 | 6   | 9.5  |
| 1*3/8      | 39.9 | 56 | 32 | 6   |      |
| 1*1/2      | 39.9 | 64 | 34 | 6   | 9.5  |
| 1*3/4      | 39.9 | 68 | 36 | 7   | 11.5 |
| 1 1/4*1/2  | 48.9 | 66 | 38 | 6   | 9.5  |
| 1 1/4*3/4  | 48.9 | 72 | 40 | 7   | 11.5 |
| 1 1/4*1    | 48.9 | 80 | 42 | 8   | 14   |
| 1 1/2*1/2  | 55.4 | 70 | 41 | 6   | 9.5  |
| 1 1/2*3/4  | 55.4 | 76 | 43 | 7   | 11.5 |
| 1 1/2*1    | 55.4 | 84 | 45 | 8   | 14   |
| J1/2*1 1/4 | 55.4 | 92 | 47 | 9   | 15   |
| 2*1/2      | 67.4 | 70 | 47 | 6   | 9.5  |
| 2*3/4      | 67.4 | 76 | 49 | 7   | 11.5 |
| 2*1        | 67.4 | 84 | 51 | 8   | 14   |
| 2*1 1/4    | 67.4 | 92 | 53 | 9   | 15   |
| 2*1 1/2    | 67.4 | 98 | 55 | 10  | 17   |



主要外形尺寸 Main outer size

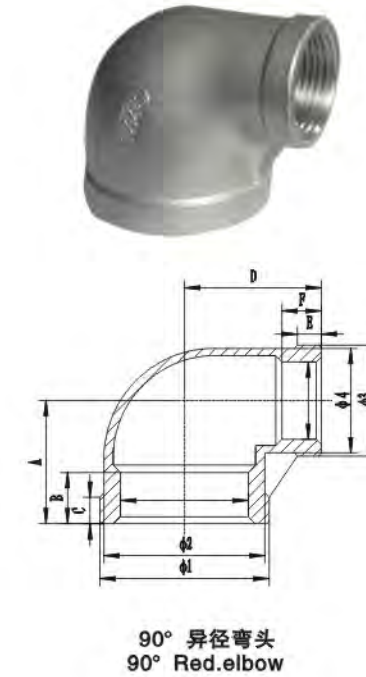
| SIZE        | φ1   | φ2   | φ3   | φ4   | A  | B  | C  |
|-------------|------|------|------|------|----|----|----|
| 1/4*1/8     | 16.9 | 14.9 | 13.9 | 12.2 | 26 | 17 | 6  |
| 3/8*1/8     | 20.2 | 18.4 | 13.9 | 12.2 | 28 | 19 | 6  |
| 1/2*1/8     | 26.9 | 24.9 | 14.5 | 12.8 | 30 | 21 | 6  |
| 3/8*1/4     | 20.2 | 18.4 | 16.9 | 14.9 | 30 | 19 | 6  |
| 1/2*1/4     | 26.9 | 24.9 | 16.9 | 14.9 | 32 | 21 | 6  |
| 1/2*3/8     | 26.9 | 24.9 | 20.2 | 18.4 | 34 | 21 | 6  |
| 3/4*1/4     | 32   | 30   | 17   | 15   | 34 | 24 | 7  |
| 3/4*3/8     | 31.9 | 29.9 | 20.2 | 18.4 | 36 | 24 | 7  |
| 3/4*1/2     | 31.9 | 29.9 | 26.9 | 24.9 | 38 | 24 | 7  |
| 1*1/2       | 39.9 | 37.9 | 26.9 | 24.9 | 41 | 27 | 8  |
| 1*3/4       | 39.9 | 37.9 | 31.9 | 29.9 | 42 | 27 | 8  |
| 1*1/4       | 39.5 | 37.5 | 17   | 15   | 37 | 27 | 8  |
| 1*3/8       | 39.5 | 37.5 | 20.5 | 18.5 | 39 | 27 | 8  |
| 1 1/4*1/2   | 48.9 | 46.4 | 26.9 | 24.9 | 43 | 29 | 9  |
| 1 1/4*3/4   | 48.9 | 46.4 | 31.9 | 29.9 | 44 | 29 | 9  |
| 1 1/4*1     | 48.9 | 46.4 | 39.9 | 37.9 | 45 | 29 | 9  |
| 1 1/2*1/2   | 55.4 | 52.9 | 26.9 | 24.9 | 45 | 31 | 10 |
| 1 1/2*3/4   | 55.4 | 52.9 | 31.9 | 29.9 | 46 | 31 | 10 |
| 1 1/2*1     | 55.4 | 52.9 | 30.9 | 37.9 | 47 | 31 | 10 |
| 1 1/2*1 1/4 | 55.4 | 52.9 | 48.9 | 46.4 | 49 | 31 | 10 |
| 2*1/2       | 67.4 | 64.9 | 26.9 | 24.9 | 45 | 31 | 11 |
| 2*3/4       | 67.4 | 64.9 | 31.9 | 29.9 | 46 | 31 | 11 |
| 2*1         | 67.4 | 64.9 | 39.9 | 37.9 | 47 | 31 | 11 |
| 2*1 1/4     | 67.4 | 64.9 | 48.9 | 46.4 | 49 | 31 | 11 |
| 2*1 1/2     | 67.4 | 64.9 | 55.4 | 52.9 | 50 | 31 | 11 |
| 2 1/2*1     | 84   | 81   | 39.9 | 37.9 | 54 | 39 | 13 |
| 2 1/2*1 1/4 | 84   | 81   | 48.9 | 46.4 | 56 | 39 | 13 |
| 3*1 1/2     | 98   | 94.5 | 55.5 | 52.5 | 60 | 42 | 15 |
| 2 1/2*1 1/2 | 84   | 81   | 55.5 | 52.5 | 57 | 39 | 13 |
| 2 1/2*2     | 84   | 81   | 67.5 | 64.5 | 60 | 39 | 13 |
| 3*2         | 98   | 94.5 | 67.5 | 64.5 | 63 | 42 | 15 |
| 3*2 1/2     | 98   | 94.5 | 84   | 81   | 42 | 42 | 15 |



丝扣管件 Threaded fitting

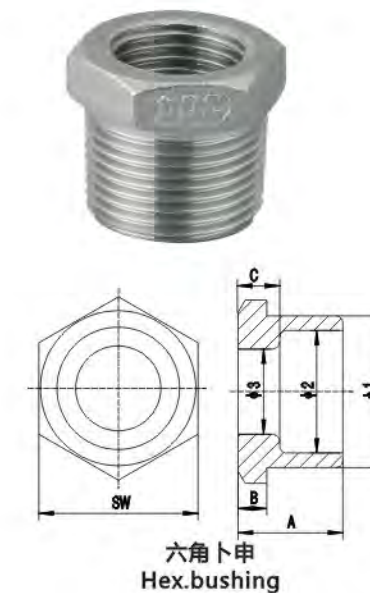
主要外形尺寸 Main outer size

| SIZE      | φ1   | φ2   | φ3   | φ4   | A  | B    | C  | D  | E  | F    |
|-----------|------|------|------|------|----|------|----|----|----|------|
| 3/8*1/4   | 20.2 | 18.4 | 16.9 | 14.9 | 20 |      | 6  | 22 | 6  |      |
| 1/2*1/4   | 26.9 | 24.9 | 16.9 | 14.9 | 22 | 9.5  | 6  | 25 | 6  |      |
| 3/4*3/8   | 31.9 | 29.9 | 20.2 | 18.4 | 26 | 11.5 | 7  | 28 | 6  |      |
| 3/4*1/2   | 31.9 | 29.9 | 26.9 | 24.9 | 29 | 11.5 | 7  | 30 | 6  | 9.5  |
| 1*1/2     | 39.9 | 37.9 | 26.9 | 24.9 | 32 | 14   | 8  | 34 | 6  | 9.5  |
| 1*3/4     | 39.9 | 37.9 | 31.9 | 29.9 | 34 | 14   | 8  | 36 | 7  | 11.5 |
| 1 1/4*1/2 | 48.9 | 46.4 | 26.9 | 24.9 | 33 | 15   | 9  | 38 | 6  | 9.5  |
| 1 1/4*3/4 | 48.9 | 46.4 | 31.9 | 29.9 | 36 | 15   | 9  | 40 | 7  | 11.5 |
| 1 1/4*1/2 | 48.9 | 46.4 | 39.9 | 37.9 | 40 | 15   | 9  | 42 | 8  | 14   |
| 1 1/2*1/2 | 55.4 | 52.9 | 26.9 | 24.9 | 35 | 17   | 10 | 41 | 6  | 9.5  |
| 1 1/2*3/4 | 55.4 | 52.9 | 31.9 | 29.9 | 38 | 17   | 10 | 43 | 7  | 11.5 |
| 1 1/2*1/2 | 55.4 | 52.9 | 39.9 | 37.9 | 42 | 17   | 10 | 45 | 8  | 14   |
| 1/2*1 1/4 | 55.4 | 52.9 | 48.9 | 46.4 | 46 | 17   | 10 | 47 | 9  | 15   |
| 2*1/2     | 67.4 | 64.9 | 26.9 | 24.9 | 35 | 17   | 11 | 47 | 6  | 9.5  |
| 2*3/4     | 67.4 | 64.9 | 31.9 | 29.9 | 38 | 17   | 11 | 49 | 7  | 11.5 |
| 2*1       | 67.4 | 64.9 | 39.9 | 37.9 | 42 | 17   | 11 | 51 | 8  | 14   |
| 2*1 1/4   | 67.4 | 64.9 | 48.9 | 46.4 | 46 | 17   | 11 | 53 | 9  | 15   |
| 2*1 1/2   | 67.4 | 64.9 | 55.4 | 52.9 | 49 | 17   | 11 | 55 | 10 | 17   |



主要外形尺寸 Main outer size

| SIZE        | φ1   | φ2   | φ3   | A    | B   | C    | SW  |
|-------------|------|------|------|------|-----|------|-----|
| 1/4*1/8     | 14.2 | 8.3  | 8    | 19   | 6   | 6    | 15  |
| 3/8*1/8     | 17.5 | 11   | 8    | 20.5 | 6   | 6    | 19  |
| 3/8*1/4     | 17.5 | 11   | 10.7 | 20.5 | 6   | 8.8  | 19  |
| 1/2*1/8     | 21.8 | 15   | 8    | 22   | 6.5 | 6    | 23  |
| 1/2*1/4     | 21.8 | 15   | 10.7 | 22   | 6.5 | 8.8  | 23  |
| 1/2*3/8     | 21.8 | 15   | 14.2 | 22   | 6.5 | 9.2  | 23  |
| 3/4*1/8     | 27.6 | 20   | 8    | 26   | 7   | 6    | 28  |
| 3/4*1/4     | 27.6 | 20   | 10.7 | 26   | 7   | 8.8  | 28  |
| 3/4*3/8     | 27.6 | 20   | 14.2 | 26   | 7   | 9.2  | 28  |
| 3/4*1/2     | 27.6 | 20   | 17.8 | 26   | 7   | 9.5  | 28  |
| 1*3/8       | 34.2 | 26.2 | 14.2 | 27   | 7   | 9.2  | 35  |
| 1*1/2       | 34.2 | 26.2 | 17.8 | 27   | 7   | 9.5  | 35  |
| 1*3/4       | 34.2 | 26.2 | 23   | 27   | 7   | 11.5 | 35  |
| 1 1/4*3/4   | 43.2 | 34.7 | 23   | 30   | 7.5 | 11.5 | 44  |
| 1 1/4*1     | 43.2 | 34.7 | 29   | 30   | 7.5 | 13   | 44  |
| 1 1/2*1     | 49   | 40.2 | 29   | 31   | 8   | 13   | 50  |
| 1 1/2*1 1/4 | 49   | 40.2 | 37.5 | 31   | 8   | 15   | 50  |
| 2*1 1/4     | 61   | 51.5 | 37.5 | 33   | 8   | 15   | 61  |
| 2*1 1/2     | 61   | 51.5 | 43.8 | 33   | 8   | 17   | 61  |
| 1*1/8       | 34.2 | 26.2 | 8    | 27   | 7   | 6    | 35  |
| 1*1/4       | 34.2 | 26.2 | 10.7 | 27   | 7   | 8.8  | 35  |
| 1 1/4*1/4   | 43.2 | 34.7 | 10.7 | 30   | 7.5 | 8.8  | 44  |
| 1 1/4*3/8   | 43.2 | 34.7 | 14.2 | 30   | 7.5 | 9.2  | 44  |
| 1 1/4*1/2   | 43.2 | 34.7 | 17.8 | 30   | 7.5 | 9.5  | 44  |
| 1 1/2*3/8   | 49   | 40.2 | 14.2 | 31   | 8   | 9.2  | 50  |
| 1 1/2*1/2   | 49   | 40.2 | 17.8 | 31   | 8   | 9.5  | 50  |
| 1 1/2*3/4   | 49   | 40.2 | 23   | 31   | 8   | 11.5 | 50  |
| 2*1/2       | 61   | 51.5 | 17.8 | 33   | 8   | 9.5  | 61  |
| 2*3/4       | 61   | 51.5 | 23   | 33   | 8   | 11.5 | 61  |
| 2*1         | 61   | 51.5 | 29   | 33   | 8   | 13   | 61  |
| 2 1/2*1     | 77   | 65   | 28.7 | 41   | 10  | 14   | 78  |
| 2 1/2*1 1/4 | 77   | 65   | 37.3 | 41   | 10  | 15   | 78  |
| 2 1/2*1 1/2 | 77   | 65   | 43.8 | 41   | 10  | 17   | 78  |
| 2 1/2*2     | 77   | 65   | 55.3 | 41   | 10  | 17   | 78  |
| 3*1 1/2     | 91.2 | 78   | 43.8 | 44   | 11  | 17   | 92  |
| 3*2         | 91.2 | 78   | 55.3 | 44   | 11  | 17   | 92  |
| 3*2 1/2     | 91.2 | 78   | 69.5 | 44   | 11  | 23   | 92  |
| 4*3         | 116  | 103  | 80.5 | 48   | 12  | 25   | 118 |

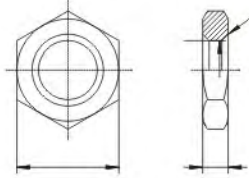




丝扣管件 Threaded fitting



六角螺母  
Hexagon nut

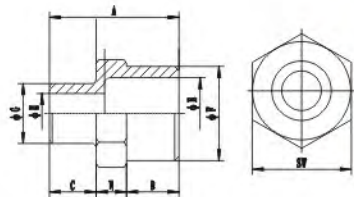


主要外形尺寸 Main outer size

| Size  | φ    | H    | SW   | C   | 方数 |
|-------|------|------|------|-----|----|
| 1/8   | 8.5  | 5.7  | 19   | 1   | 6  |
| 1/4   | 11.4 | 5.8  | 21   | 1.5 | 6  |
| 3/8   | 14.8 | 6.8  | 25   | 1.5 | 6  |
| 1/2   | 18.5 | 7.5  | 31   | 2   | 6  |
| 3/4   | 24   | 8.5  | 35.5 | 2   | 6  |
| 1"    | 30.2 | 9.5  | 45   | 2.5 | 6  |
| 1 1/4 | 38.8 | 10   | 53   | 2.5 | 6  |
| 1 1/2 | 44.6 | 11.3 | 58   | 2.5 | 6  |
| 2"    | 55.4 | 12   | 71.5 | 2.5 | 6  |



异径六角外螺纹接头  
Red.Hex.Nipple



主要外形尺寸 Main outer size

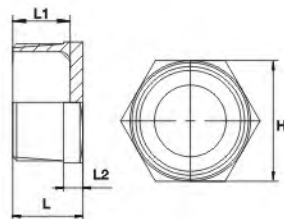
| SIZE        | A  | B  | C  | SW | 边数 |
|-------------|----|----|----|----|----|
| 1/4*1/8     | 30 | 13 | 6  | 15 | 6  |
| 3/8*1/8     | 33 | 15 | 7  | 19 | 6  |
| 3/8*1/4     | 35 | 15 | 7  | 19 | 6  |
| 1/2*1/4     | 38 | 17 | 8  | 23 | 6  |
| 1/2*3/8     | 40 | 18 | 8  | 23 | 6  |
| 3/4*1/4     | 40 | 18 | 9  | 29 | 6  |
| 3/4*3/8     | 42 | 19 | 9  | 29 | 6  |
| 3/4*1/2     | 44 | 18 | 9  | 29 | 6  |
| 1*3/8       | 45 | 19 | 11 | 36 | 8  |
| 1*1/2       | 47 | 19 | 11 | 36 | 8  |
| 1*3/4       | 48 | 19 | 11 | 36 | 8  |
| 1 1/4*1/2   | 50 | 21 | 12 | 45 | 8  |
| 1 1/4*3/4   | 51 | 21 | 12 | 45 | 8  |
| 1 1/4*1     | 52 | 21 | 12 | 45 | 8  |
| 1 1/2*1/2   | 51 | 22 | 12 | 51 | 8  |
| 1 1/2*3/4   | 52 | 22 | 12 | 51 | 8  |
| 1 1/2*1     | 53 | 22 | 12 | 51 | 8  |
| 1 1/2*1 1/4 | 55 | 22 | 12 | 51 | 8  |
| 2*1/2       | 56 | 26 | 13 | 63 | 8  |
| 2*3/4       | 57 | 26 | 13 | 63 | 8  |
| 2*1         | 58 | 26 | 13 | 63 | 8  |
| 2*1 1/4     | 60 | 26 | 13 | 63 | 8  |
| 2*1 1/2     | 61 | 26 | 13 | 63 | 8  |
| 2 1/2*1 1/2 | 67 | 31 | 14 | 78 | 8  |
| 2 1/2*2     | 71 | 31 | 14 | 78 | 8  |

主要外形尺寸 Main outer size

| SIZE  | L    | L1   | L2  | H  | 边数 |
|-------|------|------|-----|----|----|
| 1/8   | 17   |      | 6   | 12 | 6  |
| 1/4   | 18   | 16   | 6   | 15 | 6  |
| 3/8   | 20   | 18   | 6   | 18 | 6  |
| 1/2   | 22   | 20   | 7   | 23 | 6  |
| 3/4   | 25   | 22.5 | 7   | 28 | 6  |
| 1     | 25.5 | 23   | 7.5 | 35 | 8  |
| 1 1/4 | 29   | 26   | 8   | 44 | 8  |
| 1 1/2 | 31   | 28   | 9   | 50 | 8  |
| 2     | 35   | 31.5 | 10  | 62 | 8  |



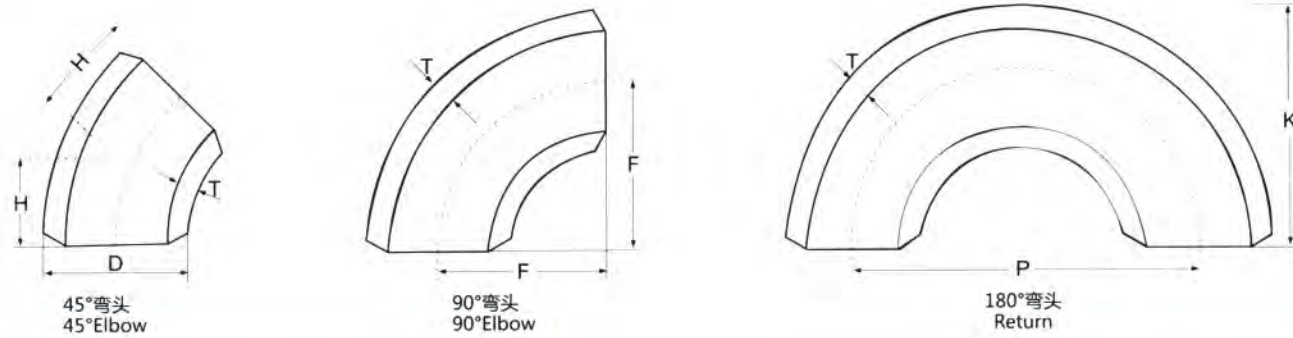
六角塞头  
Hexagon plug





不锈钢无缝管件Stainless steel seamless fitting

ASME/ANSI B16.9、B16.28 对焊弯头 Butt-Welding Elbows and Returns

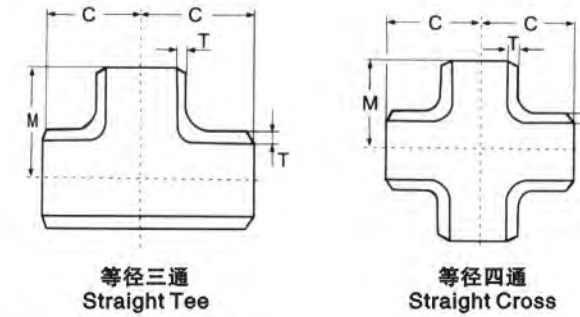


| 公称口径<br>Nominal<br>Pipe Size<br>DN | 端部外径<br>Outside<br>Diameter<br>at Bevel<br>D | 中心至端面<br>Center to End |                    |                     | 中心至中心<br>Center to Center |                     | 背面至端面<br>Back to Faces |                     |
|------------------------------------|--|------------------------|--------------------|---------------------|---------------------------|---------------------|------------------------|---------------------|
|                                    |  | 45° 弯头<br>Elbows.      |                    | 90° 弯头<br>Elbows.   | 180° 弯头<br>Return         |                     |                        |                     |
|                                    |  | H                      |                    | F                   | P                         |                     | K                      |                     |
|                                    |  | 长半径<br>Long Radius     | 长半径<br>Long Radius | 短半径<br>Short Radius | 长半径<br>Long Radius        | 短半径<br>Short Radius | 长半径<br>Long Radius     | 短半径<br>Short Radius |
| 1/2                                | 21.3   | 15.7                   | 38.1               | -                   | 76.2                      | -                   | 47.8                   | -                   |
| 3/4                                | 26.7   | 19.1                   | 38.1               | -                   | 76.2                      | -                   | 50.8                   | -                   |
| 1                                  | 33.4   | 22.4                   | 38.1               | 25.4                | 76.2                      | 50.8                | 55.6                   | 41.1                |
| 1 1/4                              | 42.2   | 25.4                   | 47.8               | 31.8                | 95.3                      | 63.6                | 69.9                   | 52.3                |
| 1 1/2                              | 48.3   | 28.4                   | 57.2               | 38.1                | 114.3                     | 76.2                | 82.6                   | 62.0                |
| 2                                  | 60.3   | 35.1                   | 76.2               | 50.8                | 152.4                     | 101.6               | 106.6                  | 81.0                |
| 2 1/2                              | 73.0   | 44.5                   | 95.3               | 63.5                | 190.5                     | 127.0               | 131.8                  | 100.1               |
| 3                                  | 88.9   | 50.8                   | 114.3              | 76.2                | 228.6                     | 152.4               | 158.8                  | 120.7               |
| 3 1/2                              | 101.6  | 57.2                   | 133.4              | 88.9                | 266.7                     | 177.8               | 184.2                  | 139.7               |
| 4                                  | 114.3  | 63.5                   | 152.4              | 101.6               | 304.8                     | 203.2               | 209.6                  | 158.8               |
| 5                                  | 141.3  | 79.2                   | 190.5              | 127.0               | 381.0                     | 254.0               | 261.9                  | 196.9               |
| 6                                  | 168.3  | 95.3                   | 228.6              | 152.4               | 457.2                     | 304.8               | 312.7                  | 236.5               |
| 8                                  | 219.1  | 127.0                  | 304.8              | 203.2               | 609.6                     | 406.4               | 414.3                  | 312.7               |
| 10                                 | 273.1  | 158.8                  | 381.0              | 254.0               | 762.0                     | 508.0               | 517.7                  | 390.7               |
| 12                                 | 323.9  | 190.5                  | 457.2              | 304.8               | 914.4                     | 609.6               | 619.3                  | 466.9               |
| 14                                 | 355.6  | 222.3                  | 533.4              | 355.6               | 1066.8                    | 711.2               | 711.2                  | 533.4               |
| 16                                 | 406.4  | 254.0                  | 609.6              | 406.4               | 1219.2                    | 812.8               | 812.8                  | 609.6               |
| 18                                 | 457.2  | 285.8                  | 685.8              | 457.2               | 1317.6                    | 914.4               | 914.4                  | 685.8               |
| 20                                 | 508.0  | 317.5                  | 762.0              | 508.0               | 1524.0                    | 1016.0              | 1016.0                 | 762.0               |
| 22                                 | 558.8  | 342.9                  | 838.2              | 558.8               | 1676.4                    | 1117.6              | 1117.6                 | 838.2               |
| 24                                 | 609.6  | 381.0                  | 914.4              | 609.6               | 1828.8                    | 1219.2              | 1219.2                 | 914.4               |
| 26                                 | 660.4  | 406.0                  | 990.6              |                     |                           |                     |                        |                     |
| 28                                 | 711.2  | 438.2                  | 1066.8             |                     |                           |                     |                        |                     |
| 30                                 | 762.0  | 469.9                  | 1143.0             |                     |                           |                     |                        |                     |
| 32                                 | 812.8  | 501.7                  | 1219.2             |                     |                           |                     |                        |                     |
| 34                                 | 863.6  | 533.4                  | 1295.4             |                     |                           |                     |                        |                     |
| 36                                 | 914.4  | 565.2                  | 1371.6             |                     |                           |                     |                        |                     |
| 38                                 | 965.2  | 599.9                  | 1447.8             |                     |                           |                     |                        |                     |
| 40                                 | 1016.0                                       | 632.0                  | 1524.0             |                     |                           |                     |                        |                     |
| 42                                 | 1066.8                                       | 660.4                  | 1600.2             |                     |                           |                     |                        |                     |
| 44                                 | 1117.6                                       | 695.5                  | 1676.4             |                     |                           |                     |                        |                     |
| 46                                 | 1168.4                                       | 726.9                  | 1752.6             |                     |                           |                     |                        |                     |
| 48                                 | 1219.2                                       | 758.9                  | 1828.8             |                     |                           |                     |                        |                     |

注：表中长半径弯头取自ASME / ANSIB 16.9，短半径弯头取自ASME / ANSIB 16.28。  
Note: From the table, the information of long-radius elbow takes from ASME/ANSIB 16.9 and the information of short-radius from ASME/ANSIB 16.28.

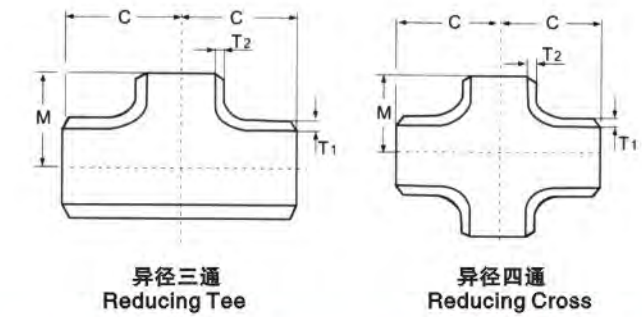
不锈钢无缝管件Stainless steel seamless fitting

ASME/ANSI B16.9 对焊等径三通、四通  
Butt-Welding Straight Tee and Cross



| 公称口径<br>Nominal<br>Pipe Size<br>DN(in) | 端部外径<br>Outside Diameter<br>at Bevel | 中心至端面<br>Center to End |       |
|--|--------------------------------------|------------------------|-------|
|  |                                      | T                      | C M   |
| 1/2                                    | 21.3                                 | 25.4                   |       |
| 3/4                                    | 26.7                                 | 28.4                   |       |
| 1                                      | 33.4                                 | 38.1                   |       |
| 1 1/4                                  | 42.2                                 | 47.8                   |       |
| 1 1/2                                  | 48.3                                 | 57.2                   |       |
| 2                                      | 60.3                                 | 63.5                   |       |
| 2 1/2                                  | 73.0                                 | 76.2                   |       |
| 3                                      | 88.9                                 | 85.9                   |       |
| 3 1/2                                  | 101.6                                | 95.3                   |       |
| 4                                      | 114.3                                | 104.6                  |       |
| 5                                      | 141.3                                | 124.0                  |       |
| 6                                      | 168.3                                | 142.7                  |       |
| 8                                      | 219.1                                | 177.8                  |       |
| 10                                     | 273.1                                | 215.9                  |       |
| 12                                     | 323.9                                | 254.0                  |       |
| 14                                     | 355.6                                | 279.4                  |       |
| 16                                     | 406.4                                | 304.8                  |       |
| 18                                     | 457.2                                | 342.9                  |       |
| 20                                     | 508.0                                | 381.0                  |       |
| 22                                     | 558.8                                | 419.1                  |       |
| 24                                     | 609.6                                | 431.8                  |       |
| 26                                     | 660.4                                | 495.3                  |       |
| 28                                     | 711.2                                | 520.7                  |       |
| 30                                     | 762.0                                | 558.8                  |       |
| 32                                     | 812.8                                | 596.9                  |       |
| 34                                     | 863.6                                | 635.0                  |       |
| 36                                     | 914.4                                | 673.1                  |       |
| 38                                     | 965.2                                | 711.2                  |       |
| 40                                     | 1016.0                               | 749.3                  |       |
| 42                                     | 1066.8                               | 726.0                  | 711.2 |
| 44                                     | 1117.6                               | 812.8                  | 762.0 |
| 46                                     | 1168.4                               | 850.9                  | 800.1 |
| 48                                     | 1219.2                               | 889.0                  | 838.2 |

ASME/ANSI B16.9 对焊异径三通、四通  
Butt-Welding Reducing Tee and Reducing Cross



| 公称口径<br>Nominal<br>Pipe Size<br>DN(in) | 端部外径<br>Outside Diameter<br>at Bevel | 中心至端面<br>Center to End |       |
|--|--------------------------------------|------------------------|-------|
|  |                                      | T1xT2                  | C M   |
| 1/2 x 3/8                              | 21.3x17.1                            | 25.4                   |       |
| 1/2 x 1/4                              | 21.3x13.7                            | 25.4                   |       |
| 3/4 x 1/2                              | 26.7x21.3                            | 28.4                   |       |
| 3/4 x 3/8                              | 26.7x17.1                            | 28.4                   |       |
| 1 x 3/4                                | 33.4x26.7                            | 38.1                   |       |
| 1 x 1/2                                | 33.4x21.3                            | 38.1                   |       |
| 1 1/2 x 1                              | 42.2x33.7                            | 47.8                   |       |
| 1 1/4 x 3/4                            | 42.2x26.7                            | 47.8                   |       |
| 1 1/4 x 1/2                            | 42.2x21.3                            | 47.8                   |       |
| 1 1/2 x 1 1/4                          | 48.3x42.2                            | 57.2                   |       |
| 1 1/2 x 1                              | 48.3x33.4                            | 57.2                   |       |
| 1 1/2 x 3/4                            | 48.3x26.7                            | 57.2                   |       |
| 1 1/2 x 1/2                            | 48.3x21.3                            | 57.2                   |       |
| 2 x 1 1/2                              | 60.3x48.3                            | 63.5                   | 60.5  |
| 2 x 1 1/4                              | 60.3x42.2                            | 63.5                   | 57.2  |
| 2 x 1                                  | 60.3x33.4                            | 63.5                   | 50.8  |
| 2 x 3/4                                | 60.3x26.7                            | 63.5                   | 44.5  |
| 2 1/2 x 2                              | 73.0x60.3                            | 76.2                   | 69.9  |
| 2 1/2 x 1 1/2                          | 73.0x48.3                            | 76.2                   | 66.5  |
| 2 1/2 x 1 1/4                          | 73.0x42.2                            | 76.2                   | 63.5  |
| 2 1/2 x 1                              | 73.0x33.4                            | 76.2                   | 57.2  |
| 3 x 2 1/2                              | 88.9x73.0                            | 85.9                   | 82.6  |
| 3 x 2                                  | 88.9x60.3                            | 85.9                   | 76.2  |
| 3 x 1 1/2                              | 88.9x48.3                            | 85.9                   | 73.2  |
| 3 x 1 1/4                              | 88.9x42.2                            | 85.9                   | 69.9  |
| 3 1/2 x 3                              | 101.6x88.9                           | 95.3                   | 91.9  |
| 3 1/2 x 2 1/2                          | 101.6x73.0                           | 95.3                   | 88.9  |
| 3 1/2 x 2                              | 101.6x60.3                           | 95.3                   | 82.6  |
| 3 1/2 x 1 1/2                          | 101.6x48.3                           | 95.3                   | 79.2  |
| 4 x 3 1/2                              | 114.3x101.6                          | 104.6                  | 101.6 |
| 4 x 3                                  | 114.3x88.9                           | 104.6                  | 98.6  |
| 4 x 2 1/2                              | 114.3x73.0                           | 104.6                  | 95.3  |
| 4 x 2                                  | 114.3x60.3                           | 104.6                  | 88.9  |



不锈钢无缝管件Stainless steel seamless fitting

ASME/ANSI B16.9 对焊异径三通、四通 Butt-Welding Reducing tee and Reducing Cross

| 公称通径<br>Nominal<br>Pipe Size<br>DN(In) | 端部外径<br>Outside Diameter<br>at Bevel | 中心至端面<br>Genter to End |       |       |
|--|--------------------------------------|------------------------|-------|-------|
|  |                                      | T1xT2                  | C M   |       |
| 4x11/2                                 | 114.3x48.3                           | 104.6                  | 85.9  |       |
| 5x4                                    | 141.3x114.3                          | 124.0                  | 117.3 |       |
| 5x31/2                                 | 141.3x106.6                          |                        | 114.3 |       |
| 5x3                                    | 141.3x88.9                           |                        | 111.3 |       |
| 5x21/2                                 | 141.3x73.0                           |                        | 108.0 |       |
| 5x2                                    | 141.3x60.3                           |                        | 104.6 |       |
| 6x5                                    | 168.3x141.3                          | 142.7                  | 136.7 |       |
| 6x4                                    | 168.3x114.3                          |                        | 130.0 |       |
| 6x31/2                                 | 168.3x101.6                          |                        | 127.0 |       |
| 6x3                                    | 168.3x88.9                           |                        | 124.0 |       |
| 6x21/2                                 | 168.3x73.0                           |                        | 120.7 |       |
| 8x6                                    | 219.1x168.3                          | 177.8                  | 168.1 |       |
| 8x5                                    | 219.1x141.3                          |                        | 162.1 |       |
| 8x4                                    | 219.1x114.3                          |                        | 155.4 |       |
| 8x31/2                                 | 219.3x101.6                          |                        | 152.4 |       |
| 10x8                                   | 273.1x219.1                          |                        | 215.9 | 203.2 |
| 10x6                                   | 273.1x168.3                          | 193.5                  |       |       |
| 10x5                                   | 273.1x141.3                          | 190.5                  |       |       |
| 10x4                                   | 273.1x114.3                          | 184.2                  |       |       |
| 12x10                                  | 323.9x273.1                          | 254.0                  |       | 241.3 |
| 12x8                                   | 323.9x219.1                          |                        | 228.6 |       |
| 12x6                                   | 323.9x168.3                          |                        | 218.9 |       |
| 12x5                                   | 323.9x141.3                          |                        | 215.9 |       |
| 14x12                                  | 355.6x323.9                          |                        | 279.4 | 269.7 |
| 14x10                                  | 355.6x273.1                          | 257.0                  |       |       |
| 14x8                                   | 355.6x219.1                          | 247.7                  |       |       |
| 14x6                                   | 355.6x168.3                          | 238.3                  |       |       |
| 16x14                                  | 406.4x355.6                          | 304.8                  |       | 304.8 |
| 16x12                                  | 406.4x323.9                          |                        | 295.1 |       |
| 16x10                                  | 406.4x273.1                          |                        | 282.4 |       |
| 16x8                                   | 406.4x219.1                          |                        | 273.1 |       |
| 16x6                                   | 406.4x168.3                          |                        | 263.7 |       |
| 18x16                                  | 457.2x406.4                          | 342.9                  | 330.2 |       |
| 18x14                                  | 457.2x355.6                          |                        | 330.2 |       |
| 18x12                                  | 457.2x323.9                          |                        | 320.5 |       |
| 18x10                                  | 457.2x273.1                          |                        | 307.8 |       |
| 18x8                                   | 457.2x219.1                          |                        | 298.5 |       |
| 20x18                                  | 508.0x457.2                          | 381.0                  | 368.3 |       |
| 20x16                                  | 508.0x406.4                          |                        | 355.6 |       |
| 20x14                                  | 508.0x355.6                          |                        | 355.6 |       |
| 20x12                                  | 508.0x323.9                          |                        | 345.9 |       |
| 20x10                                  | 508.0x273.1                          |                        | 333.2 |       |
| 20x8                                   | 508.0x219.1                          | 323.9                  |       |       |
| 22x20                                  | 558.8x508.0                          | 419.1                  | 406.4 |       |
| 22x18                                  | 558.8x457.2                          |                        | 393.7 |       |
| 22x16                                  | 558.8x406.4                          |                        | 381.0 |       |
| 22x14                                  | 558.8x355.6                          |                        | 419.1 | 381.0 |
| 22x12                                  | 558.8x323.9                          |                        |       | 371.3 |
| 22x10                                  | 558.8x273.1                          | 358.6                  |       |       |
| 24x22                                  | 609.6x558.8                          | 431.8                  |       | 431.8 |
| 24x20                                  | 609.6x508.0                          |                        |       | 431.8 |
| 24x18                                  | 609.6x457.2                          |                        | 419.1 |       |
| 24x16                                  | 609.6x406.4                          |                        | 406.4 |       |
| 24x14                                  | 609.6x355.6                          |                        | 406.4 |       |
| 24x12                                  | 609.6x323.9                          | 396.7                  |       |       |
| 24x10                                  | 609.6x273.1                          | 384.0                  |       |       |
| 26x24                                  | 660.4x609.6                          | 495.3                  | 482.6 |       |
| 26x22                                  | 660.4x558.8                          |                        | 469.9 |       |
| 26x20                                  | 660.4x508.0                          |                        | 457.2 |       |
| 26x18                                  | 660.4x457.2                          |                        | 444.5 |       |
| 26x16                                  | 660.4x406.4                          |                        | 431.8 |       |
| 26x14                                  | 660.4x355.6                          | 431.8                  |       |       |
| 26x12                                  | 660.4x323.9                          | 422.1                  |       |       |
| 28x26                                  | 711.2x660.4                          | 520.7                  | 520.7 |       |
| 28x24                                  | 711.2x609.6                          |                        | 508.0 |       |
| 28x22                                  | 711.2x558.8                          |                        | 495.3 |       |
| 28x20                                  | 711.2x508.0                          |                        | 482.6 |       |
| 28x10                                  | 711.2x457.2                          |                        | 469.9 |       |
| 28x16                                  | 711.2x406.4                          | 457.2                  |       |       |
| 28x14                                  | 711.2x355.6                          | 457.2                  |       |       |
| 28x12                                  | 711.2x323.9                          | 447.5                  |       |       |
| 30x28                                  | 762.0x711.2                          | 558.8                  | 546.1 |       |
| 30x26                                  | 762.0x660.4                          |                        | 546.1 |       |
| 30x24                                  | 762.0x609.6                          |                        | 533.4 |       |
| 30x22                                  | 762.0x558.8                          |                        | 520.7 |       |
| 30x20                                  | 762.0x508.0                          |                        | 508.0 |       |
| 30x18                                  | 762.0x457.2                          | 495.3                  |       |       |
| 30x16                                  | 762.0x406.4                          | 482.6                  |       |       |
| 30x14                                  | 762.0x355.6                          | 482.6                  |       |       |
| 30x12                                  | 762.0x323.9                          | 472.9                  |       |       |
| 30x10                                  | 762.0x273.1                          | 460.2                  |       |       |
| 32x30                                  | 812.8x762.0                          | 596.9                  | 584.2 |       |
| 32x28                                  | 812.8x711.2                          |                        | 571.5 |       |
| 32x26                                  | 812.8x660.4                          |                        | 571.5 |       |
| 32x24                                  | 812.8x609.6                          |                        | 558.8 |       |
| 32x22                                  | 812.8x558.8                          |                        | 546.1 |       |
| 32x20                                  | 812.8x508.8                          | 533.4                  |       |       |
| 32x18                                  | 812.8x457.2                          | 520.7                  |       |       |
| 32x16                                  | 812.8x406.4                          | 508.0                  |       |       |
| 32x14                                  | 812.8x355.6                          | 508.0                  |       |       |
| 34x32                                  | 863.6x812.8                          | 635.0                  | 622.3 |       |
| 34x30                                  | 863.6x762                            |                        | 609.6 |       |

不锈钢无缝管件Stainless steel seamless fitting

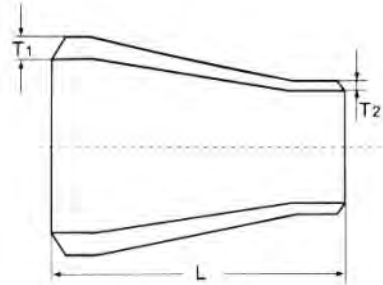
ASME/ANSI B16.9 对焊异径三通、四通 Butt-Welding Reducing tee and Reducing Cross

| 公称通径<br>Nominal<br>Pipe Size<br>DN(In) | 端部外径<br>Outside Diameter<br>at Bevel | 中心至端面<br>Genter to End |       |       |
|--|--------------------------------------|------------------------|-------|-------|
|  |                                      | T1xT2                  | C M   |       |
| 34x28                                  | 863.6x711.2                          | 635.0                  | 596.9 |       |
| 34x26                                  | 863.6x660.4                          |                        | 596.9 |       |
| 34x24                                  | 863.6x609.6                          |                        | 584.2 |       |
| 34x22                                  | 863.6x558.8                          |                        | 571.5 |       |
| 34x20                                  | 863.6x508.0                          |                        | 558.8 |       |
| 34x18                                  | 863.6x457.2                          |                        | 546.1 |       |
| 34x16                                  | 863.6x406.4                          |                        | 533.4 |       |
| 36x34                                  | 914.4x863.6                          |                        | 673.1 | 660.4 |
| 36x32                                  | 914.4x812.8                          |                        |       | 647.7 |
| 36x30                                  | 914.4x762.0                          |                        |       | 635.0 |
| 36x28                                  | 914.4x711.2                          | 622.3                  |       |       |
| 36x26                                  | 914.4x660.4                          | 622.3                  |       |       |
| 36x24                                  | 914.4x609.6                          | 609.6                  |       |       |
| 36x22                                  | 914.4x558.8                          | 596.9                  |       |       |
| 36x20                                  | 914.4x508.0                          | 584.2                  |       |       |
| 36x18                                  | 914.4x457.2                          | 571.5                  |       |       |
| 36x16                                  | 914.4x406.4                          | 558.8                  |       |       |
| 38x36                                  | 965.2x914.4                          | 711.2                  | 711.2 |       |
| 38x34                                  | 965.2x863.6                          |                        | 698.5 |       |
| 38x32                                  | 965.2x812.8                          |                        | 685.8 |       |
| 38x30                                  | 965.2x762.0                          |                        | 673.1 |       |
| 38x28                                  | 965.2x711.2                          |                        | 647.7 |       |
| 38x26                                  | 965.2x660.4                          |                        | 647.7 |       |
| 38x24                                  | 965.2x609.6                          |                        | 635.0 |       |
| 38x22                                  | 965.2x558.8                          |                        | 622.3 |       |
| 38x20                                  | 965.2x508.0                          |                        | 609.6 |       |
| 38x18                                  | 965.2x457.2                          |                        | 596.9 |       |
| 40x38                                  | 1016.0x965.2                         | 749.3                  | 749.3 |       |
| 40x36                                  | 1016.0x914.4                         |                        | 736.6 |       |
| 40x34                                  | 1016.0x863.6                         |                        | 723.9 |       |
| 40x32                                  | 1016.0x812.8                         |                        | 711.2 |       |
| 40x30                                  | 1016.0x762.0                         |                        | 698.5 |       |
| 40x28                                  | 1016.0x711.2                         |                        | 673.1 |       |
| 40x26                                  | 1016.0x660.4                         |                        | 673.1 |       |
| 40x24                                  | 1016.0x609.6                         |                        | 660.4 |       |
| 40x22                                  | 1016.0x558.8                         |                        | 647.7 |       |
| 40x20                                  | 1016.0x508.0                         |                        | 635.0 |       |
| 40x18                                  | 1016.0x457.2                         | 622.3                  |       |       |
| 42x40                                  | 1066.8x1016.0                        | 762.0                  | 711.2 |       |
| 42x38                                  | 1066.8x965.2                         |                        | 711.2 |       |
| 42x36                                  | 1066.8x914.4                         |                        | 711.2 |       |
| 42x34                                  | 1066.8x863.6                         |                        | 711.2 |       |
| 42x32                                  | 1066.8x812.8                         |                        | 711.2 |       |
| 42x30                                  | 1066.8x762.0                         |                        | 711.2 |       |
| 42x28                                  | 1066.8x711.2                         |                        | 762.0 | 711.2 |
| 42x26                                  | 1066.8x660.4                         |                        |       | 711.2 |
| 42x24                                  | 1066.8x609.6                         |                        |       | 711.2 |
| 42x22                                  | 1066.8x558.8                         |                        |       | 711.2 |
| 42x20                                  | 1066.8x508.0                         | 711.2                  |       |       |
| 42x18                                  | 1066.8x457.2                         | 711.2                  |       |       |
| 42x16                                  | 1066.8x406.4                         | 711.2                  |       |       |
| 42x14                                  | 1066.8x355.6                         | 711.2                  |       |       |
| 42x12                                  | 1066.8x323.9                         | 711.2                  |       |       |
| 42x10                                  | 1066.8x273.1                         | 711.2                  |       |       |
| 42x8                                   | 1066.8x219.1                         | 711.2                  |       |       |
| 42x6                                   | 1066.8x168.3                         | 711.2                  |       |       |
| 42x4                                   | 1066.8x114.3                         | 711.2                  |       |       |
| 42x2                                   | 1066.8x60.3                          | 711.2                  |       |       |
| 44x42                                  | 1117.6x1066.8                        | 812.8                  | 762.0 |       |
| 44x40                                  | 1117.6x1016.0                        |                        | 749.3 |       |
| 44x38                                  | 1117.6x965.2                         |                        | 736.6 |       |
| 44x36                                  | 1117.6x914.4                         |                        | 723.9 |       |
| 44x34                                  | 1117.6x863.6                         |                        | 723.9 |       |
| 44x32                                  | 1117.6x812.8                         |                        | 711.2 |       |
| 44x30                                  | 1117.6x762.0                         |                        | 711.2 |       |
| 44x28                                  | 1117.6x711.2                         |                        | 698.5 |       |
| 44x26                                  | 1117.6x660.4                         |                        | 698.5 |       |
| 44x24                                  | 1117.6x609.6                         |                        | 698.5 |       |
| 44x22                                  | 1117.6x558.8                         | 685.8                  |       |       |
| 44x20                                  | 1117.6x508.0                         | 685.8                  |       |       |
| 46x44                                  | 1168.4x1117.6                        | 850.9                  | 800.1 |       |
| 46x42                                  | 1168.4x1066.8                        |                        | 787.4 |       |
| 46x40                                  | 1168.4x1016.0                        |                        | 774.7 |       |
| 46x38                                  | 1168.4x965.2                         |                        | 762.0 |       |
| 46x36                                  | 1168.4x914.4                         |                        | 762.0 |       |
| 46x34                                  | 1168.4x863.6                         |                        | 749.3 |       |
| 46x32                                  | 1168.4x812.8                         |                        | 749.3 |       |
| 46x30                                  | 1168.4x762.0                         |                        | 736.6 |       |
| 46x28                                  | 1168.4x711.2                         |                        | 736.6 |       |
| 46x26                                  | 1168.4x660.4                         |                        | 736.6 |       |
| 46x24                                  | 1168.4x609.6                         | 723.9                  |       |       |
| 46x22                                  | 1168.4x558.8                         | 723.9                  |       |       |
| 48x46                                  | 1219.2x1168.4                        | 889.0                  | 838.2 |       |
| 48x44                                  | 1219.2x1117.6                        |                        | 838.2 |       |
| 48x42                                  | 1219.2x1066.8                        |                        | 812.8 |       |
| 48x40                                  | 1219.2x1016.0                        |                        | 812.8 |       |
| 48x38                                  | 1219.2x965.2                         |                        | 812.8 |       |
| 48x36                                  | 1219.2x914.4                         |                        | 787.4 |       |
| 48x34                                  | 1219.2x863.6                         |                        | 787.4 |       |
| 48x32                                  | 1219.2x812.8                         |                        | 787.4 |       |
| 48x30                                  | 1219.2x762.0                         |                        | 762.0 |       |
| 48x28                                  | 1219.2x711.2                         |                        | 762.0 |       |
| 48x26                                  | 1219.2x660.4                         | 762.0                  |       |       |
| 48x24                                  | 1219.2x609.6                         | 736.6                  |       |       |
| 48x22                                  | 1219.2x558.8                         | 736.6                  |       |       |

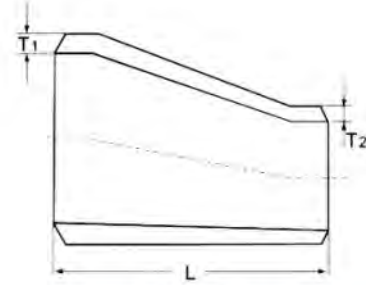


不锈钢无缝管件Stainless steel seamless fitting

ASME/ANSI B16.9 对焊同心、偏心异径管 Butt-Welding Concentric & Eccentric Reducers



同心异径管  
Concentric Reducer



偏心异径管  
Eccentric Reducer

| 公称口径<br>Nominal<br>Pipe Size<br>DN(in)                          | 端部外径<br>Outside Diameter<br>at Bevel | 长度<br>End to End<br>L |
|---|--------------------------------------|-----------------------|
|   | T1X T2                               |                       |
| 3/4X1/2<br>3/4X3/8  | 26.7X21.3                            | 38.1                  |
|   | 26.7X17.1                            |                       |
| 1X3/4<br>1X2/2  | 33.4X26.7                            | 50.8                  |
|   | 33.4X21.3                            |                       |
| 1 1/4X1<br>1 1/4X3/4<br>1 1/4X1/2                               | 42.2X33.4                            | 50.8                  |
|   | 42.2X26.7                            |                       |
|   | 42.2X21.3                            |                       |
| 1 1/2X1 1/4<br>1 1/2X1<br>1 1/2X3/4<br>1 1/2X1/2                | 48.3X42.2                            | 63.5                  |
|   | 48.3X33.4                            |                       |
|   | 48.3X26.7                            |                       |
|   | 48.3X21.3                            |                       |
| 2X1 1/2<br>2X1 1/4<br>2X1<br>2X3/4                              | 60.3X48.3                            | 76.2                  |
|   | 60.3X42.2                            |                       |
|   | 60.3X33.4                            |                       |
|   | 60.3X26.7                            |                       |
| 2 1/2X2<br>2 1/2X1 1/2<br>2 1/2X1 1/4<br>2 1/2X1                | 70.3X60.3                            | 88.9                  |
|   | 73.0X48.3                            |                       |
|   | 73.0X42.2                            |                       |
|   | 73.0X33.4                            |                       |
| 3X2 1/2<br>3X2<br>3X1 1/2<br>3X1 1/4                            | 88.9X73.0                            | 88.9                  |
|   | 88.9X60.3                            |                       |
|   | 88.9X48.3                            |                       |
|   | 88.9X42.2                            |                       |
| 3 1/2X3<br>3 1/2X2 1/2<br>3 1/2X2<br>3 1/2X1 1/2<br>3 1/2X1 1/4 | 102.6X88.9                           | 101.6                 |
|   | 101.6X73.0                           |                       |
|   | 101.6X60.3                           |                       |
|   | 201.6X48.3                           |                       |
|   | 101.6X42.2                           |                       |
| 4x3 1/2<br>4x3  | 214.3X101.6                          | 101.6                 |
|   | 124.3X88.9                           |                       |

| 公称口径<br>Nominal<br>Pipe Size<br>DN(in)  | 端部外径<br>Outside Diameter<br>at Bevel | 长度<br>End to End<br>L |
|---|--------------------------------------|-----------------------|
|   | T1X T2                               |                       |
| 4X2 1/2<br>4X2<br>4X1 1/2               | 114.3X73.0                           | 101.6                 |
|   | 114.3X60.3                           |                       |
|   | 114.3X48.3                           |                       |
| 5X4<br>5X3 1/2<br>5X3<br>5X2 1/2<br>5X2 | 141.3X114.3                          | 127.0                 |
|   | 141.3X101.6                          |                       |
|   | 141.3X88.9                           |                       |
|   | 141.3X73.0                           |                       |
|   | 141.3X60.3                           |                       |
| 6X5<br>6X4<br>6X3 1/2<br>6X2<br>6X2 1/2 | 168.3X141.3                          | 139.7                 |
|   | 168.3X114.3                          |                       |
|   | 168.3X101.6                          |                       |
|   | 168.3X88.9                           |                       |
|   | 168.3X73.0                           |                       |
|   | 168.3X60.3                           |                       |
| 8X6<br>8X5<br>8X4<br>8X3 1/2            | 219.1X168.3                          | 152.4                 |
|   | 219.1X141.3                          |                       |
|   | 219.1X114.3                          |                       |
|   | 219.1X101.6                          |                       |
|   | 219.1X88.9                           |                       |
| 10X8<br>10X6<br>10X5<br>10X4            | 273.1X219.1                          | 177.8                 |
|   | 273.1X168.3                          |                       |
|   | 273.1X141.3                          |                       |
|   | 273.1X114.3                          |                       |
|   | 273.1X88.9                           |                       |
| 12X10<br>12X8<br>12X6<br>12X5           | 323.9X273.1                          | 203.2                 |
|   | 323.9X219.1                          |                       |
|   | 323.9X168.3                          |                       |
|   | 323.9X141.3                          |                       |
|   | 323.9X114.3                          |                       |
| 14X12<br>14X10<br>14X8<br>14X6          | 355.6X323.9                          | 330.2                 |
|   | 355.6X273.1                          |                       |
|   | 355.6X219.1                          |                       |
|   | 355.6X168.3                          |                       |
|   | 355.6X141.3                          |                       |
| 16X14                                   | 406.4X355.6                          | 355.6                 |

不锈钢无缝管件Stainless steel seamless fitting

ASME/ANSI B16.9 对焊同心、偏心异径管 Butt-Welding Concentric & Eccentric Reducers

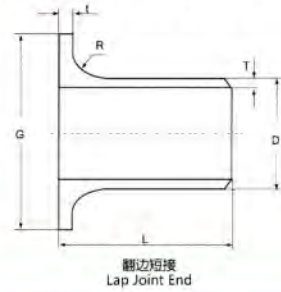
| 公称口径<br>Nominal<br>Pipe Size<br>DN(in) | 端部外径<br>Outside Diameter<br>at Bevel | 长度<br>End to End<br>L |
|--|--------------------------------------|-----------------------|
|  | T1X T2                               |                       |
| 16X12<br>16X10<br>16X8                 | 406.4X323.9                          | 355.6                 |
|  | 406.4X273.1                          |                       |
|  | 406.4X219.1                          |                       |
| 18X16<br>18X14<br>18X12<br>18X10       | 457.2X406.4                          | 381.0                 |
|  | 457.2X355.6                          |                       |
|  | 457.2X323.9                          |                       |
|  | 457.2X273.1                          |                       |
|  | 457.2X219.1                          |                       |
| 20X18<br>20X16<br>20X14<br>20X12       | 508.0X457.2                          | 508.0                 |
|  | 508.0X406.4                          |                       |
|  | 508.0X355.6                          |                       |
|  | 508.0X323.9                          |                       |
|  | 508.0X273.1                          |                       |
| 22X20<br>22X18<br>22X16<br>22X14       | 558.8X508.0                          | 508.0                 |
|  | 558.8X457.2                          |                       |
|  | 558.8X406.4                          |                       |
|  | 558.8X355.6                          |                       |
|  | 558.8X323.9                          |                       |
| 24X22<br>24X20<br>24X18<br>24X16       | 609.6X558.8                          | 508.0                 |
|  | 609.6X508.0                          |                       |
|  | 609.6X457.2                          |                       |
|  | 609.6X406.4                          |                       |
|  | 609.6X355.6                          |                       |
| 26X24<br>26X22<br>26X20<br>26X18       | 660.4X609.6                          | 609.6                 |
|  | 660.4X558.8                          |                       |
|  | 660.4X508.0                          |                       |
|  | 660.4X457.2                          |                       |
|  | 660.4X406.4                          |                       |
| 28X26<br>28X24<br>28X20<br>28X18       | 711.2X660.4                          | 609.6                 |
|  | 711.2X609.6                          |                       |
|  | 711.2X508.0                          |                       |
|  | 711.2X457.2                          |                       |
|  | 711.2X406.4                          |                       |
| 30X28<br>30X26<br>30X24<br>30X20       | 762.0X711.2                          | 609.6                 |
|  | 762.0X660.4                          |                       |
|  | 762.0X609.6                          |                       |
|  | 762.0X508.0                          |                       |
|  | 762.0X457.2                          |                       |
| 32X30<br>32X28<br>32X26<br>32X24       | 812.8X762.0                          | 609.6                 |
|  | 812.8X711.2                          |                       |
|  | 812.8X660.4                          |                       |
|  | 812.8X609.6                          |                       |
|  | 812.8X508.0                          |                       |
| 34X32<br>34X30                         | 863.6X812.8                          | 609.6                 |
|  | 863.6X762.0                          |                       |

| 公称口径<br>Nominal<br>Pipe Size<br>DN(in)             | 端部外径<br>Outside Diameter<br>at Bevel | 长度<br>End to End<br>L |
|--|--------------------------------------|-----------------------|
|  | T1X T2                               |                       |
| 34X26<br>34X24                                     | 863.6X660.4                          | 609.6                 |
|  | 863.6X609.6                          |                       |
| 36X34<br>36X32<br>36X30<br>36X26<br>36X24          | 914.4X863.6                          | 609.6                 |
|  | 914.4X812.8                          |                       |
|  | 914.4X762.0                          |                       |
|  | 914.4X609.6                          |                       |
| 38X36<br>38X34<br>38X32<br>38X30<br>38X28<br>38X26 | 965.2X914.4                          | 609.6                 |
|  | 965.2X863.6                          |                       |
|  | 965.2X812.8                          |                       |
|  | 965.2X762.0                          |                       |
|  | 965.2X711.2                          |                       |
|  | 965.2X660.4                          |                       |
| 40X38<br>40X36<br>40X34<br>40X32<br>40X30          | 1016.0X965.2                         | 609.6                 |
|  | 1016.0X914.4                         |                       |
|  | 1016.0X863.6                         |                       |
|  | 1016.0X812.8                         |                       |
|  | 1016.0X762.0                         |                       |
| 42X40<br>42X38<br>42X36<br>42X34<br>42X32<br>42X30 | 1066.8X1016.0                        | 609.6                 |
|  | 1066.8X965.2                         |                       |
|  | 1066.8X914.4                         |                       |
|  | 1066.8X863.6                         |                       |
|  | 1066.8X812.8                         |                       |
| 44X42<br>44X40<br>44X38<br>44X36                   | 1117.6X1066.8                        | 609.6                 |
|  | 1117.6X1016.0                        |                       |
|  | 1117.6X965.2                         |                       |
|  | 1117.6X914.4                         |                       |
|  | 1117.6X863.6                         |                       |
| 46X44<br>46X42<br>46X40<br>46X38                   | 1168.4X1117.6                        | 711.2                 |
|  | 1168.4X1066.8                        |                       |
|  | 1168.4X1016.0                        |                       |
|  | 1168.4X965.2                         |                       |
| 48X46<br>48X44<br>48X42<br>48X40                   | 1219.2X1168.4                        | 711.2                 |
|  | 1219.2X1117.6                        |                       |
|  | 1219.2X1066.8                        |                       |
|  | 1219.2X1016.0                        |                       |



不锈钢无缝管件Stainless steel seamless fitting

MSS SP-43、ASME/ANSI B16.9-86翻边短接 Lap Joint Stub Ends

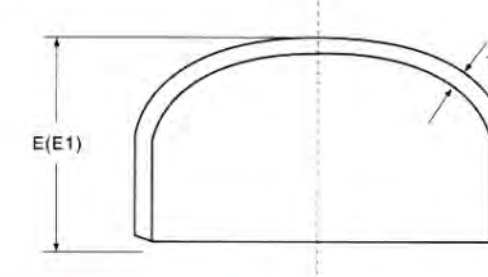


| 公称口径<br>Nominal<br>Pipe Size<br>DN(in) | 端部外径<br>Outside Diameter<br>at Bevel | 长度<br>End to End<br>L |       | 圆角半径<br>Radius of fillet |     | 搭接直径<br>Diameter of Lap<br>G |
|--|--------------------------------------|-----------------------|-------|--------------------------|-----|------------------------------|
|  |                                      | MSS SP-43             | ASME  | A型                       | B型  |                              |
|  |                                      |                       |       | R                        |     |                              |
|  | D                                    | MSS SP-43             | ASME  | R                        |     | G                            |
| 1/2                                    | 21.3                                 | 50.8                  | 76.2  | 3.0                      | 0.8 | 35.0                         |
| 3/4                                    | 26.7                                 | 50.8                  | 76.2  | 3.0                      | 0.8 | 42.9                         |
| 1                                      | 33.4                                 | 50.8                  | 101.6 | 3.0                      | 0.8 | 50.8                         |
| 1 1/4                                  | 42.2                                 | 50.8                  | 101.6 | 4.8                      | 0.8 | 63.5                         |
| 1 1/2                                  | 48.3                                 | 50.8                  | 101.6 | 6.4                      | 0.8 | 73.2                         |
| 2                                      | 60.3                                 | 63.5                  | 152.4 | 7.9                      | 0.8 | 91.9                         |
| 2 1/2                                  | 73.0                                 | 63.5                  | 152.4 | 7.9                      | 0.8 | 104.6                        |
| 3                                      | 88.9                                 | 63.5                  | 152.4 | 9.6                      | 0.8 | 127.0                        |
| 3 1/2                                  | 101.6                                | 76.2                  | 152.4 | 9.6                      | 0.8 | 139.7                        |
| 4                                      | 114.3                                | 76.2                  | 152.4 | 11.2                     | 0.8 | 157.2                        |
| 5                                      | 141.3                                | 76.2                  | 203.2 | 11.2                     | 1.6 | 185.7                        |
| 6                                      | 168.3                                | 88.9                  | 203.2 | 12.7                     | 1.6 | 215.9                        |
| 8                                      | 219.1                                | 101.6                 | 203.2 | 12.7                     | 1.6 | 269.7                        |
| 10                                     | 273.0                                | 127.0                 | 254   | 12.7                     | 1.6 | 323.9                        |
| 12                                     | 323.8                                | 152.4                 | 254   | 12.7                     | 1.6 | 381.0                        |
| 14                                     | 355.6                                | 152.4                 | 304.8 | 12.7                     | 1.6 | 412.8                        |
| 16                                     | 406.4                                | 152.4                 | 304.8 | 12.7                     | 1.6 | 469.9                        |
| 18                                     | 457.0                                | 152.4                 | 304.8 | 12.7                     | 1.6 | 533.4                        |
| 20                                     | 508.0                                | 152.4                 | 304.8 | 12.7                     | 1.6 | 584.2                        |
| 22                                     | 559                                  | -                     | 304.8 | 12.7                     | -   | 641.4                        |
| 24                                     | 609.6                                | 152.4                 | 304.8 | 12.7                     | 1.6 | 692.2                        |

注Note: ①搭接厚度t不小于公称壁厚。当采用榫槽面、凹凸面等密封面时, 心须增加搭接厚度。  
Bonding thickness(t) not less than nominal thickness. The bonding thickness should be increased for tongue-groove seal face, male & female face and so on.  
②适用于与sch40s或更薄的不锈钢管子联接。  
Suitable for the coupling of stainless tubes with sch40s or thinner.  
③R尺寸符合ANSI B16.5中搭接法兰凸缘所规定的半径, 请订货时注明圆角半径的型式。  
R Size accords with the radius stipulated in ANSI B16.5 relating to bonding flange, please indicate the radius type as placing orders.  
④L或G尺寸另有要求时, 请订货时说明。  
Please indicate as ordering for the requirements on the sizes of L or G.  
⑤圆角半径R只Y,-)MSS SP-43翻边短接有效。  
Radius R is only valid for lap joint stub ends of MSS Sp-43

不锈钢无缝管件Stainless steel seamless fitting

管帽 Cap



管帽 Cap

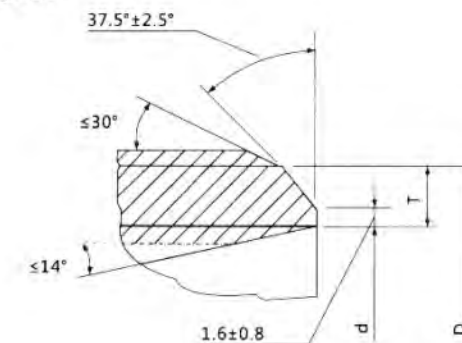
| 公称口径<br>Nominal<br>Pipe Size<br>DN(in) | 端部外径<br>Outside<br>Diameter<br>at Bevel | 全长<br>Length |       | 对尺寸E的<br>限制厚度<br>Limiting Wall<br>Thickness for<br>Length E |
|--|---|--------------|-------|---|
|  |   | T            | E1    |   |
| 1/2                                    | 21.3                                    | 25.4         | 25.4  | 3.73  |
| 3/4                                    | 26.7                                    | 25.4         | 25.4  | 3.91  |
| 1                                      | 33.4                                    | 38.1         | 38.1  | 4.55  |
| 1 1/4                                  | 42.2                                    | 38.1         | 38.1  | 4.85  |
| 1 1/2                                  | 48.3                                    | 38.1         | 38.1  | 5.08  |
| 2                                      | 60-3                                    | 38.1         | 44.5  | 5.54  |
| 2 1/2                                  | 73.0                                    | 38.1         | 50.8  | 7.01  |
| 3                                      | 88.9                                    | 50.8         | 63.5  | 7.62  |
| 3 1/2                                  | 101.6                                   | 63.5         | 76.2  | 8.08  |
| 4                                      | 114.3                                   | 63.5         | 76.2  | 8.56  |
| 5                                      | 141.3                                   | 76.2         | 88.9  | 9.53  |
| 6                                      | 168.3                                   | 88.9         | 101.6 | 10.97   |
| 8                                      | 219.1                                   | 101.6        | 127.0 | 12.70   |
| 10                                     | 273.1                                   | 127.0        | 152.4 | 12.70   |
| 12                                     | 323.9                                   | 152.4        | 177.8 | 12.70   |
| 14                                     | 355.6                                   | 165.1        | 190.5 | 12.70   |
| 16                                     | 406.4                                   | 177.8        | 203.2 | 12.70   |

| 公称口径<br>Nominal<br>Pipe Size<br>DN(in) | 端部外径<br>Outside<br>Diameter<br>at Bevel | 全长<br>Length |       | 对尺寸E的<br>限制厚度<br>Limiting Wall<br>Thickness for<br>Length E |
|--|---|--------------|-------|---|
|  |   | T            | E1    |   |
| 18                                     | 457.2                                   | 203.2        | 228.6 | 12.70   |
| 20                                     | 508.0                                   | 228.6        | 254.0 | 12.70   |
| 22                                     | 558.8                                   | 254.0        | 254.0 | 12.70   |
| 24                                     | 609.6                                   | 266.7        | 304.8 | 12.70   |
| 26                                     | 660.4                                   | 266.7        | -     | -   |
| 28                                     | 711.2                                   | 266.7        | -     | -   |
| 30                                     | 762.0                                   | 266.7        | -     | -   |
| 32                                     | 812.8                                   | 266.7        | -     | -   |
| 34                                     | 863.6                                   | 266.7        | -     | -   |
| 36                                     | 914.4                                   | 266.7        | -     | -   |
| 38                                     | 965.2                                   | 304.8        | -     | -   |
| 40                                     | 1016.0                                  | 304.8        | -     | -   |
| 42                                     | 1066.8                                  | 304.8        | -     | -   |
| 44                                     | 1117.6                                  | 342.9        | -     | -   |
| 46                                     | 1168.4                                  | 342.9        | -     | -   |
| 48                                     | 1219.2                                  | 342.9        | -     | -   |

注: ①管帽的全长不大于限制厚度时为E, 超过限制厚度为E1。②壁厚T见第38页壁厚表。  
Note: ①E shows that the overall length of socket caps not greater than limiting thickness while E1 for exceeding the limiting thickness  
②Please see the wall thickness T in Page 38 Thickness List

ASME/ANSI B16.9、B16.28 规定的对焊管件焊接端坡口的结构形式  
End Preparation of Butt-Welding Fittings to ASME/ANSI B16.9、B16.28

(a)壁厚 ≤ 22



(B)壁厚有 > 22

